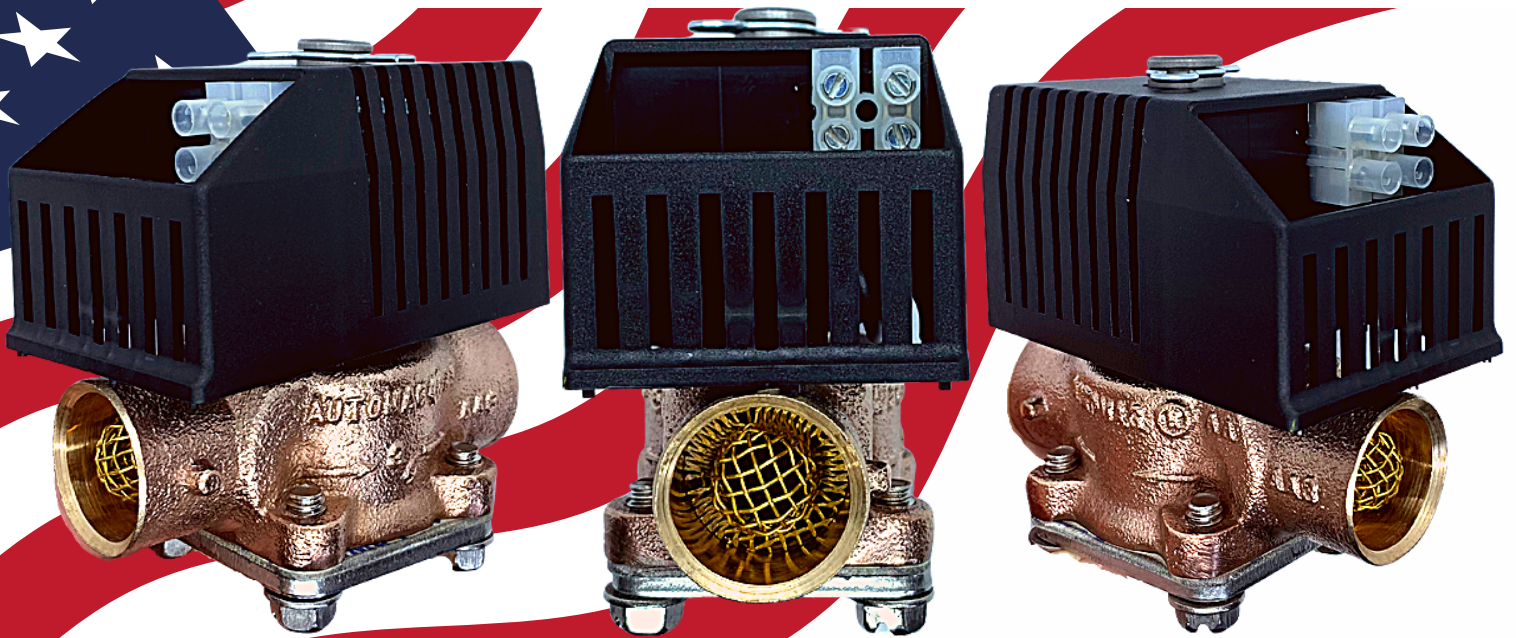


# Legacy Series AA Zone Valve

## AA 3/4 -14



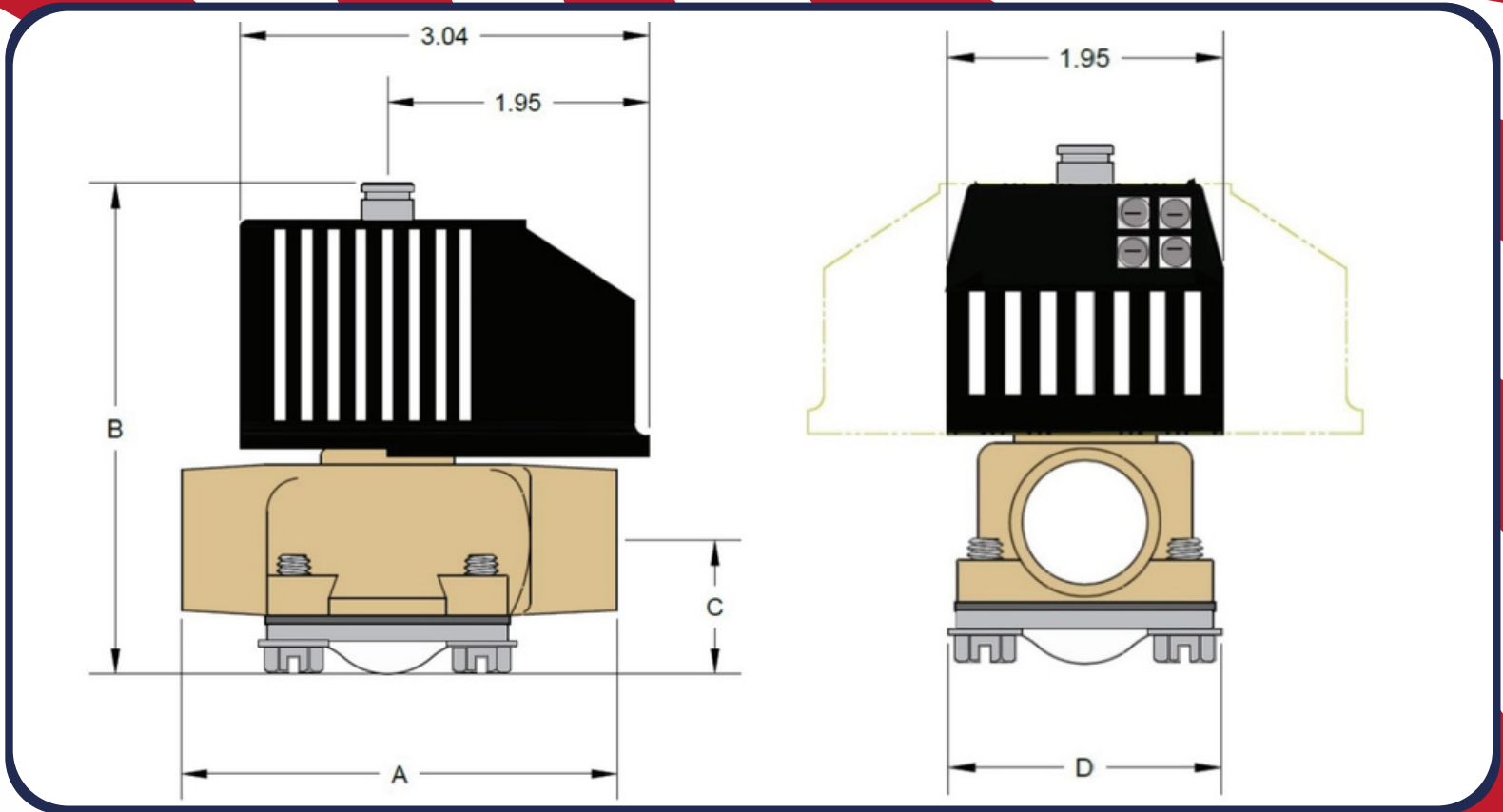
- Normally open valve allows gravity circulation if power fails
- Can be used with Automag AZC 40P or 60P control panels
- Easy installation with 2-wire mechanical or programmable thermostat OR use with Automag 50VA MB Power Supply and 3 wire thermostats
- Slow closure, eliminates water hammer
- AA Series requires 24 Volts DC Power Supply
- Available in 3/4" for 14' or 25' circulator head OR 1" for 16' circulator head connection with ID

**AUTOMAG**<sup>TM</sup>  
ZONE VALVES



[www.automagzonevalves.com](http://www.automagzonevalves.com)

1-855-482-2634



**Application**

<b>Intended Service</b>	This zone valve is intended for closed-loop hydronic heating or cooling systems.				
<b>Suitable Fluids</b>	Water or water mixtures with up to 50% propylene-based glycol compounds specifically formulated for hydronic systems.				

<b>Maximum Temperature</b>	240°F (115°C)	<b>Minimum Temperature</b>	50°F (10°C)	<b>Maximum Pressure</b>	125 psig (8.6 bar)
----------------------------	---------------	----------------------------	-------------	-------------------------	--------------------

**Materials**

<b>Valve Body</b>	Brass	<b>Stem Seal</b>	Rubber
<b>Valve Base</b>	Stainless Steel	<b>Valve Seat</b>	Viton
<b>Shaft</b>	Magnetic Stainless Steel	<b>Head Housing</b>	Polycarbonate

**Electrical**

<b>Supply Voltage</b>		24 Volts <b>AC</b>			<b>Frequency</b>		60 Hz		
Pipe Size (Sweat)	Pump Head (feet)	Max. Flow (gpm)	Coil No.	Power (VA)	Dimensions (in)				Weight (lbs)
					A	B	C	D	
3/4"	14	4.5	#31	6	3.20	3.59	1.10	1.85	1.25
3/4"	25	6	#29	8	3.20	3.59	1.10	1.85	1.40
1"	16	8	#29	8	3.62	3.63	1.15	2.25	1.81

**AUTOMAG™**  
**ZONE VALVES**



[www.automagzonevalves.com](http://www.automagzonevalves.com)

1-855-482-2634